

GROTE LED FOG LAMPS



DATA SHEET

FORWARD LIGHTING



64H51-5



64H61-5

Make your way safely through fog and inclement weather with Grote's new LED Fog Lamps.

- SAE and FMCSA approved LED Fog Lamps can be used on commercial vehicles or private vehicles
- Two mounting options- pedestal or flush mount for any application
- Three wiring options, hard wire (pigtail included), basic harness system (sold separately) or deluxe harness system to use vehicle electronics (sold separately)
- Blunt-cut DT connector harness included
- Designed with durability in mind, their rugged construction allows for use in any heavy-duty application
- Street legal for all classes of vehicle, from Class 1 to Class 8

PRODUCT SPECIFICATIONS

MATERIALS:

Housing Material: Die-Cast Aluminum
Lens Material: Polycarbonate

ELECTRONIC CHARACTERISTICS:

Connector Type: 2-pin DT Style
Input Voltage: 12V-36V
Power Draw: 0.83A at 12V

OPTICS:

Reflector Optics

RATINGS AND COMPLIANCES:

SAE J583™, F, FMCSA 393.25(b)
Ingress Protection: IP67
VMRS Code: 034-001-012

PART NUMBER	DESCRIPTION	VOLTAGE
64H51-5	LED FOG LAMP BRACKET MOUNT	12V-36V
64H51-4	LED FOG LAMP BRACKET MOUNT, PAIR PACK	12V-36V
64H61-5	LED FOG LAMP FLUSH MOUNT	12V-36V
64H61-4	LED FOG LAMP FLUSH MOUNT, PAIR PACK	12V-36V



London Location
960 Pond Mills Rd.
London, ON N6N 1A1,
Tel: 519-686-0662
Fax: 519-686-1446

Walkerton Location
225 Ridout St.,
Walkerton, ON N0G 2V0
Tel: 519-881-3040
Fax: 519-881-3047



230 Travail Rd, Markham,
Ontario, Canada L3S 3J1
Tel: 800.268.5612
US: 800.628.0809
www.grote.com

CONNECT & PROTECT

GROTE LED FOG LAMPS



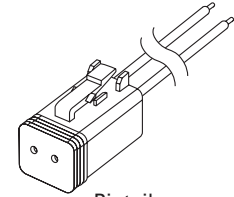
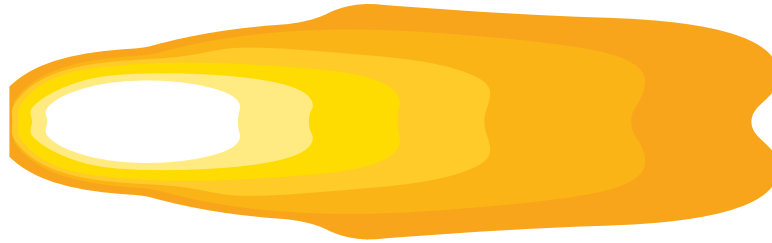
DATA SHEET

FORWARD LIGHTING

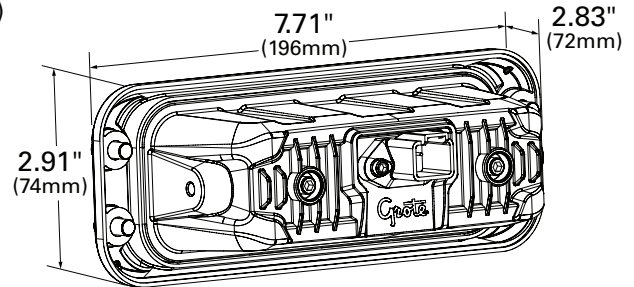
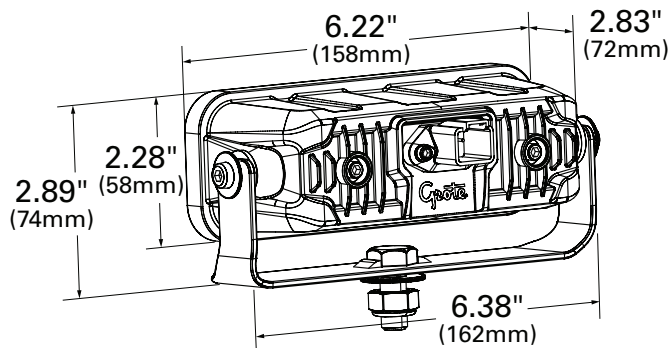
FOG LIGHT PATTERN

310 + FT | 95 + M

115 + FT
35 + M



Pigtail:
Blunt-cut adapter
(included)



3 Installation Options



1. DIY
Blunt-cut pigtail included for DIY hardwired installation

2. Basic Harness: PN 68660
Includes on/off toggle switch

3. Deluxe Harness: PN 68650
Control lamps with vehicle low beams
Will need adapter harness (pick from below)

68651
H4 - ADAPTER

68652
H1 - ADAPTER

68653
H13 - ADAPTER

68654
H11 - ADAPTER

68655
9007 - ADAPTER

68656
9005 - ADAPTER

A&M
TruckParts
LIMITED

London Location
960 Pond Mills Rd.
London, ON N6N 1A1,
Tel: 519-686-0662
Fax: 519-686-1446

Walkerton Location
225 Ridout St.,
Walkerton, ON N0G 2V0
Tel: 519-881-3040
Fax: 519-881-3047

Grote

230 Travail Rd, Markham,
Ontario, Canada L3S 3J1
Tel: 800.268.5612
US: 800.628.0809
www.grote.com

CONNECT & PROTECT